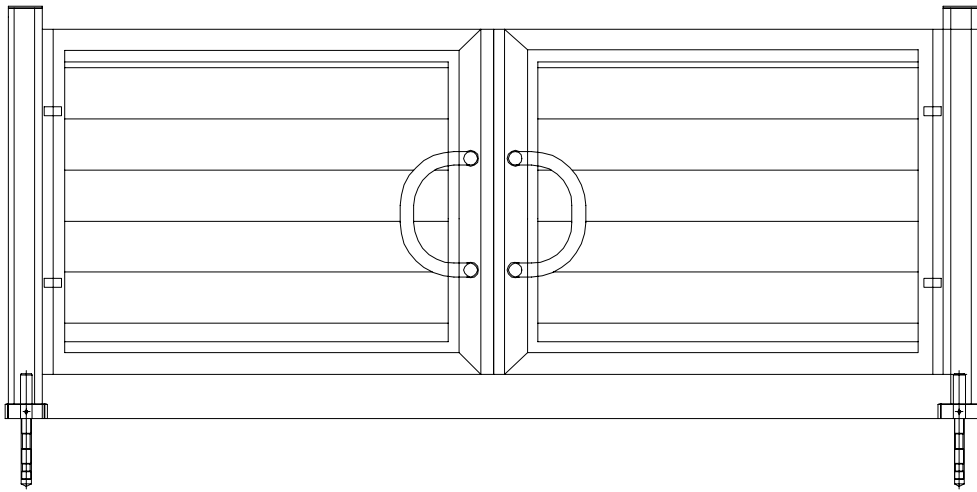
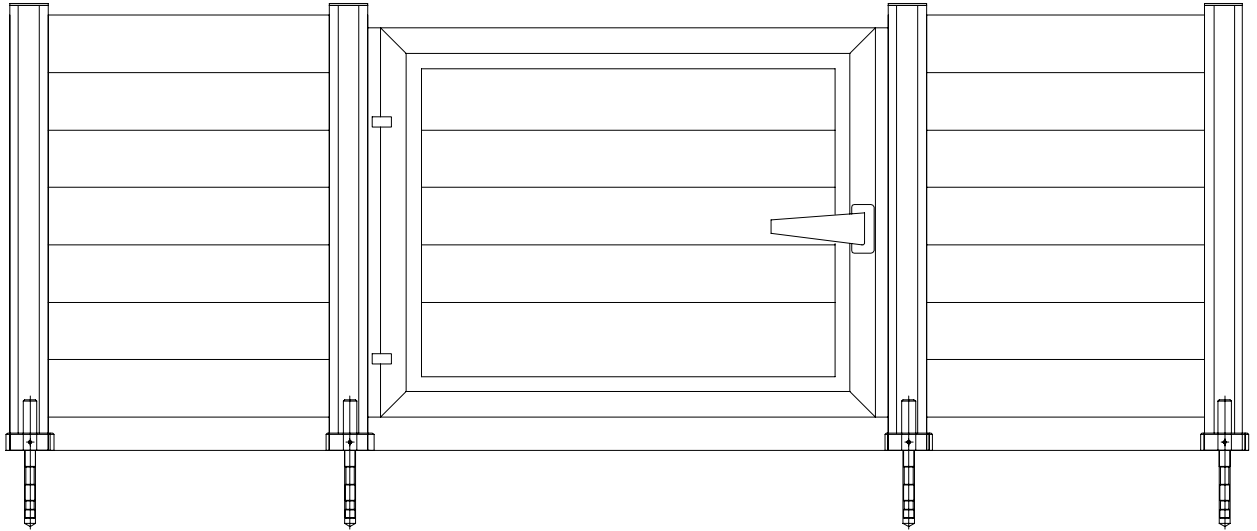


F60

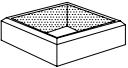

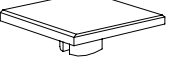


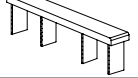


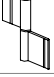
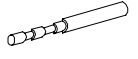

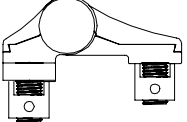
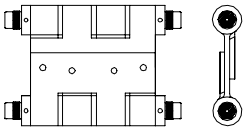
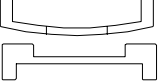
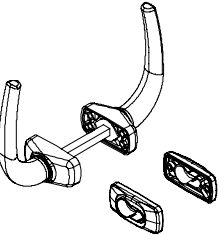

ÇİT SİSTEMİ

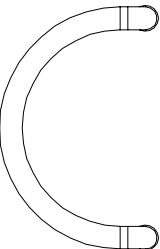
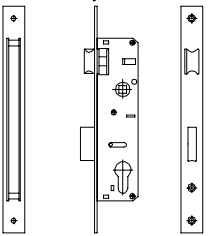
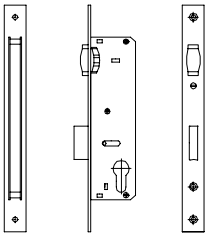
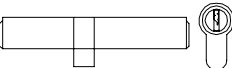

(Fence System)

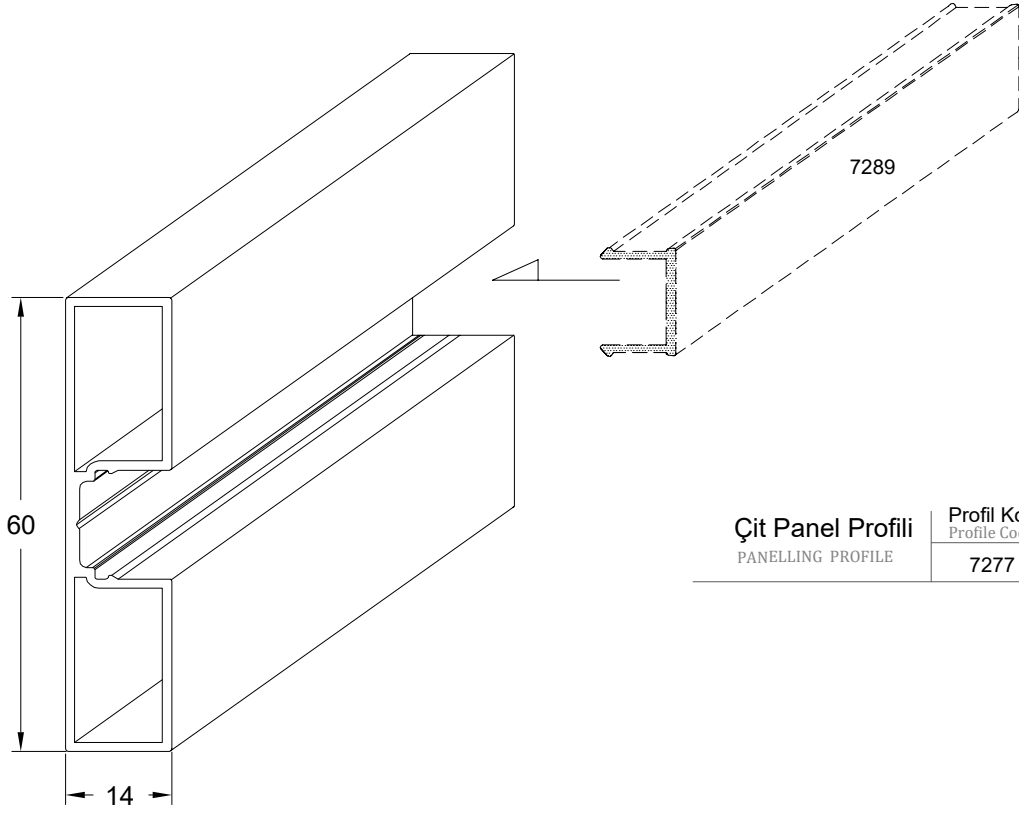


PROFİL KESİTİ PROFILE SECTION	PROFİL KODU PROFILE CODE	PROFİL ADI PROFILE NAME	Jx cm ⁴	Jy cm ⁴	AĞIRLIK (kg/m) WEIGHT
	7277	PANEL PROFİLİ PANEL PROFILE	-	-	0,523 kg/m
	7274	PANEL PROFİLİ PANEL PROFILE	-	-	0,848 kg/m
	7275	PANEL PROFİLİ PANEL PROFILE	-	-	0,830 kg/m
	7276	PANEL PROFİLİ PANEL PROFILE	-	-	0,706 kg/m
	7290	PANEL PROFİLİ PANEL PROFILE	-	-	1,178 kg/m
	7270	DİKME PROFİLİ COLUMN PROFILE	-	-	1,639 kg/m
	7271	DİKME PROFİLİ COLUMN PROFILE	-	-	1,937 kg/m
	7272	DİKME PROFİLİ COLUMN PROFILE	-	-	1,375 kg/m
	7281	KAPAK (7272 PROFİL KAPAĞI) COVER (7272 PROFILE COVER)	-	-	0,580 kg/m
	7289	KAPAK (7271 PROFİL KAPAĞI) COVER (7271 PROFILE COVER)	-	-	0,098 kg/m
	7279	KAPAK (7271 PROFİL KAPAĞI) COVER (7271 PROFILE COVER)	-	-	0,175 kg/m
	7280	KAPAK (7270 PROFİL KAPAĞI) COVER (7270 PROFILE COVER)	-	-	0,286 kg/m
	7278	ADAPTÖR PROFİLİ ADAPTER PROFILE	-	-	0,220 kg/m
	12154	26X60 ÜST TUTAMAK PROFİLİ TOP HANDRAIL PROFILE	-	-	0,816 kg/m
	2021	KASA PROFİLİ FRAME PROFILE	-	-	1,264 kg/m
	452	KASA PROFİLİ FRAME PROFILE	-	-	1,013 kg/m
	2020	KANAT PROFİLİ SASH PROFILE	-	-	1,339 kg/m
	701	ADAPTÖR PROFİLİ ADAPTER PROFILE	-	-	0,380 kg/m
	455	ÇİTA PROFİLİ BEAD PROFILE	-	-	0,207 kg/m
	454	ÇİTA PROFİLİ BEAD PROFILE	-	-	0,228 kg/m
	700	KASA-KANAT PROFİLİ FRAME-SASH PROFILE	-	-	0,370 kg/m
	410	KÖŞE TAKOZ PROFİLİ CORNER WEDGE PROFILE	-	-	6,094 kg/m

** Her profil için minimum sipariş 300 kg'dır.
** Minimum order quantity is 300 kg per profile.

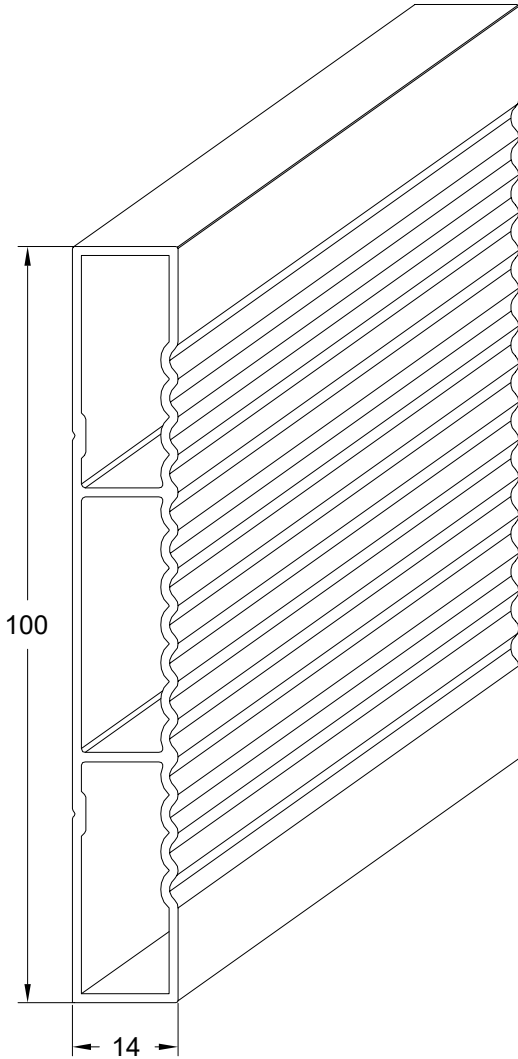
AKSESUAR ACCESSORY	STOK KODU REFERENCE CODE	AKSESUAR ADI DESCRIPTION	AKSESUAR KODU PRODUCT CODE	PAKET PACK
	07 092200	60X60 DİKME FLANŞI 60X60 POLE FLANGE	AB10-01	Adet
	07 092215	14X100 FLANŞI 14X100 FLANGE	AB10-02	Adet
	07 092201	60X60 DİKME TAPASI 14X100 FLANGE	AB11-01	Adet
	07 092203	60X60 CAM DEKORLU TAPA 60X60 GLAZING DECORATED PLUG	AB11-02	Adet
	07 092210	60X60 DAMLA DEKORLU TAPA 60X60 DROP DECORATED PLUG	AB11-03	Adet
	07 092202	14X100 TAPA 14X100 PLUG	AB11-04	Adet
	07 092205	14X100 CAM DEKORLU TAPA 14X100 GLAZING DECORATED PLUG	AB11-05	Adet
	07 092206	14X100 DAMLA DEKORLU TAPA 14X100 DROP DECORATED PLUG	AB11-06	Adet
	07 092235	KAPI MENTEŞESİ DOOR HINGE	AB11-07	Adet
	07 010190	ANKRAJ 20 CM ANCHORAGE 20 CM	A 24-05	Adet
	07 081042	FLANŞ (AHSAP ANKRAJ) FLANGE (WOOD ANCHORAGE)	AK 10-42	Adet
	01 011050	İÇE ve DİŞA AÇILIR BİNLİ KAPI MENTEŞE (ELOKSAL) INWARD AND OUTWARD OPENING HINGE (ANODIZED)	F60-KM.050	Adet
	01 011051	İÇE ve DİŞA AÇILIR BİNLİ KAPI MENTEŞE (BEYAZ) INWARD AND OUTWARD OPENING HINGE (WHITE)	F60-KM.051	Adet
	01 011052	İÇE ve DİŞA AÇILIR BİNLİ KAPI MENTEŞE (RENKLİ) INWARD AND OUTWARD OPENING HINGE (COLORED)	F60-KM.052	Adet
	01 011051	ÇARPMA KAPI MENTEŞE (ELOKSAL) OUTWARD OPENING OVERLAPPING HINGE (ANODIZED)	F60-ÇM.206	Adet
	01 011052	ÇARPMA KAPI MENTEŞE (BEYAZ) OUTWARD OPENING OVERLAPPING HINGE (WHITE)	F60-ÇM.202	Adet
	01 0601011	C60 KİLİT KARŞILIĞI LOCK STRIKER	F60-KK.101	Adet
	01 040902	FORZA EFOR YAYLI KAPI KOLU (BEYAZ) FORZA EFOR SPRING DOOR HANDLE (WHITE)	F60-FK.902	1 ad / 1 pk
	01 040903	FORZA EFOR YAYLI KAPI KOLU (RENKLİ) FORZA EFOR SPRING DOOR HANDLE (COLORED)	F60-FK.903	1 ad / 1 pk
	01 040904	FORZA EFOR YAYLI KAPI KOLU (NATUREL) FORZA EFOR SPRING DOOR HANDLE (NATURAL)	F60-FK.904	1 ad / 1 pk
	F60-21	PK-2021 2021 COVER	F60-PK.2021	

AKSESUAR ACCESSORY	STOK KODU REFERENCE CODE	AKSESUAR ADI DESCRIPTION	AKSESUAR KODU PRODUCT CODE	PAKET PACK
	01 030901	YARIM AY KAPI KOLU (ELOKSALLI) SEMI-CIRCULAR DOOR HANDLE (ANODIZED)	F60-YAK.901	1 ad / 1 pk
	01 030902	YARIM AY KAPI KOLU (B. BOYALI) SEMI-CIRCULAR DOOR HANDLE (PAINTED)	F60-YAK.902	1 ad / 1 pk
	01 030903	YARIM AY KAPI KOLU (RENKLİ) SEMI-CIRCULAR DOOR HANDLE (COLORED)	F60-YAK.903	1 ad / 1 pk
	05 011001	25 mm C60 DİLLİ KİLİT BOLT LOCK	F60-DK.001	30 ad / 1 pk
	05 010405	25 mm C60 MAKARALI KİLİT ROLLED LOCK	F60-MK.405	30 ad / 1 pk
	05 011101	81 mm BAREL 62 mm CYLINDER	F60-BR.101	24 ad / 1 pk
	11 010934	4.8X16 mm YSB SAC VİDA 4.8X16 mm YSB CURVED TOP SCREW	F60-SC.934	1000 ad / 1 pk



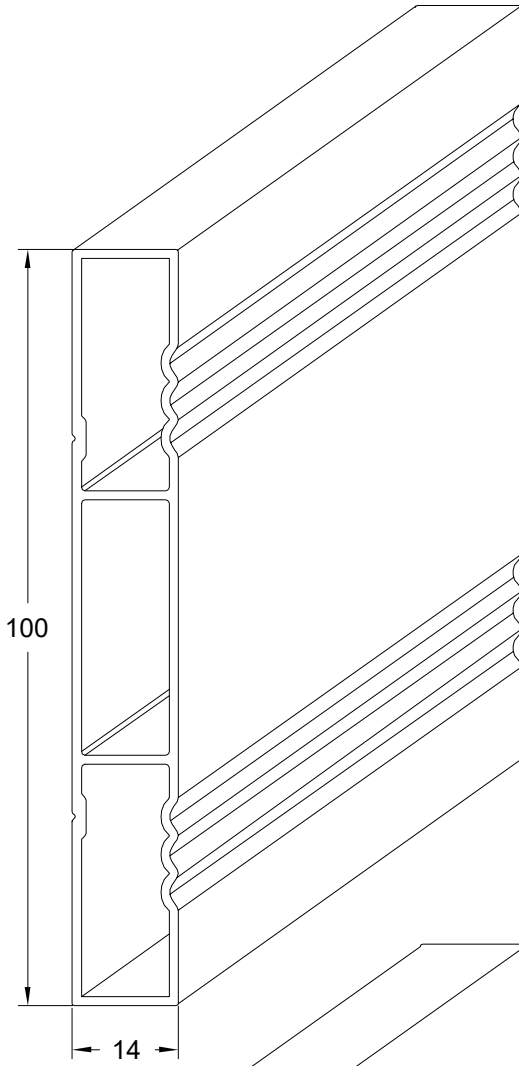
Çit Panel Profili
PANELLING PROFILE

Profil Kodu Profile Code	(kg/mt) Weight
7277	0,523

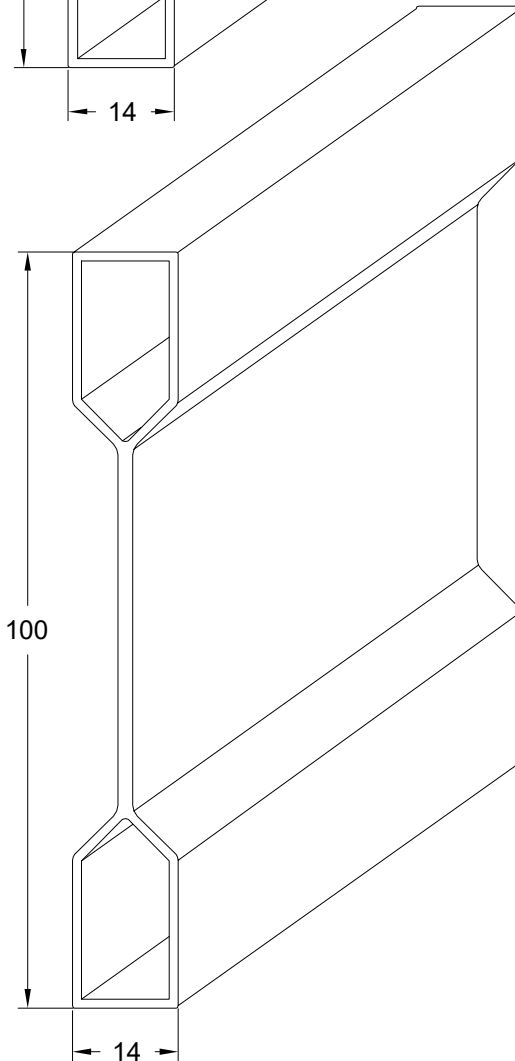


Çit Panel Profili
PANELLING PROFILE

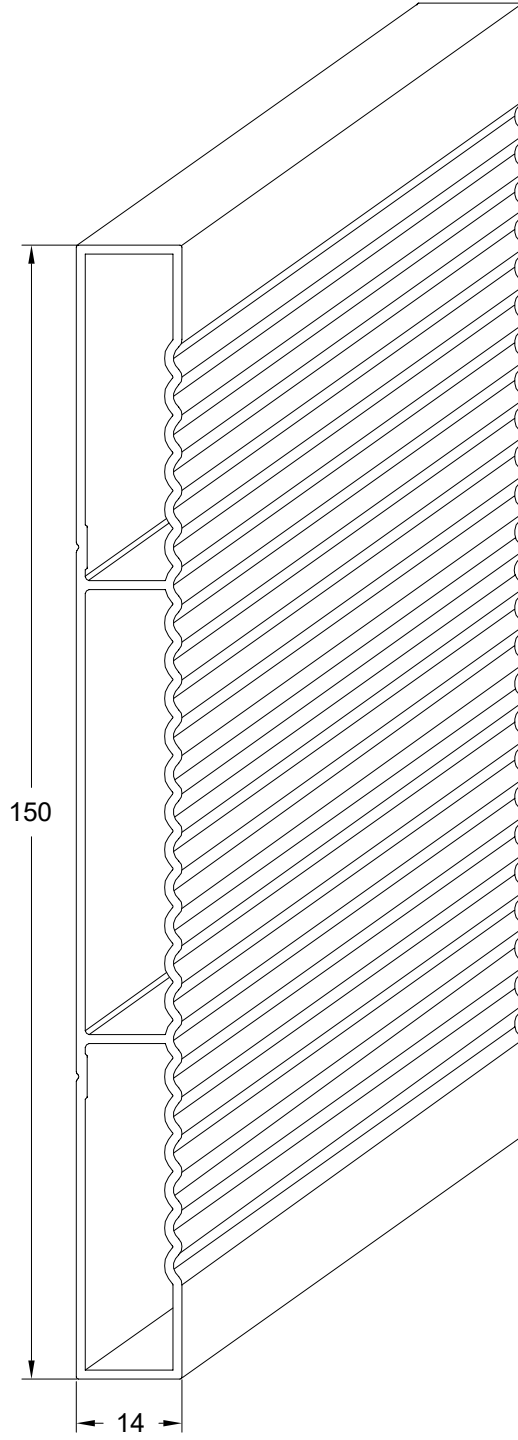
Profil Kodu Profile Code	(kg/mt) Weight
7274	0,848



Çit Panel Profili PANELLING PROFILE	Profil Kodu Profile Code	(kg/mt) Weight
	7275	0,830

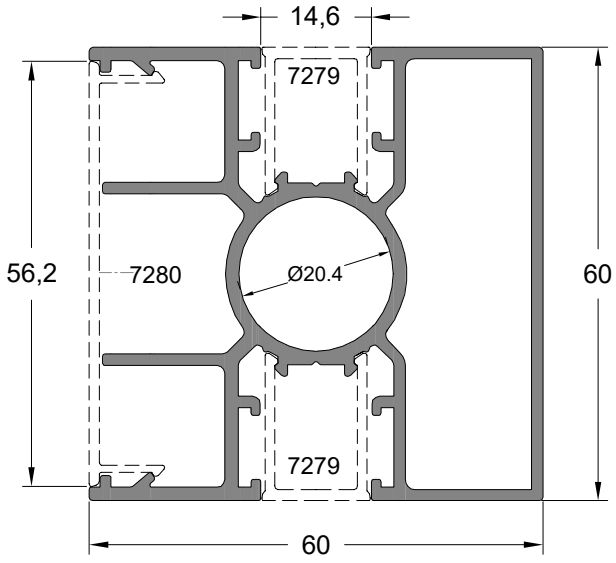


Çit Panel Profili PANELLING PROFILE	Profil Kodu Profile Code	(kg/mt) Weight
	7276	0,706



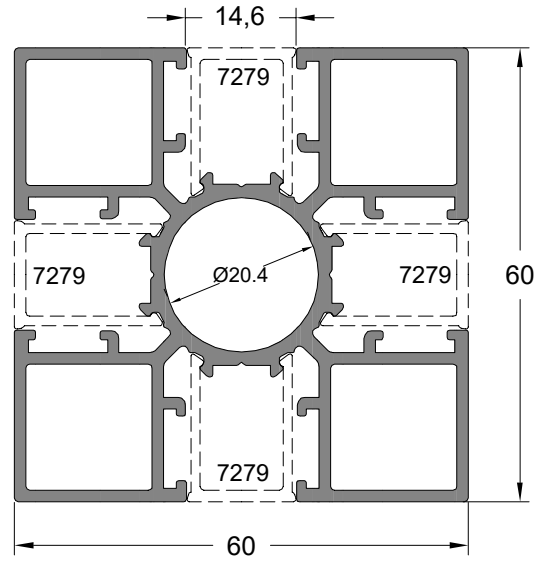
Çit Panel Profili
PANELLING PROFILE

Profil Kodu Profile Code	(kg/mt) Weight
7290	1,178



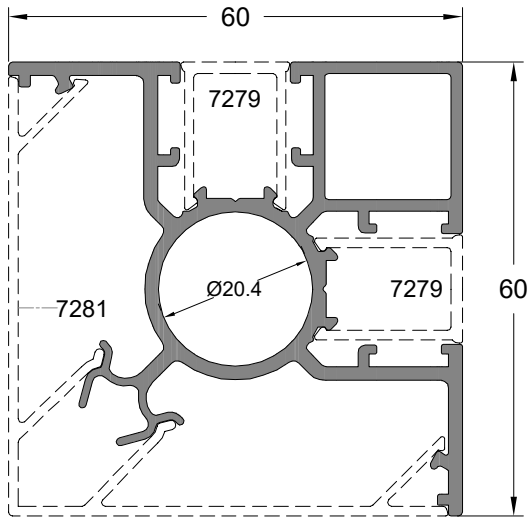
Dikme Profili
POLE PROFILE

Profil Kodu Profile Code	(kg/mt) Weight
7270	1,639



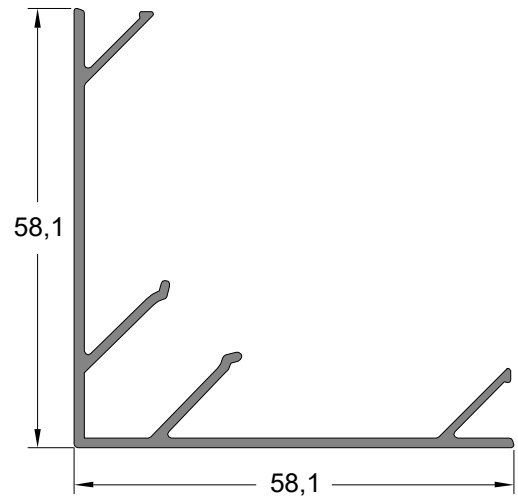
Dikme Profili
POLE PROFILE

Profil Kodu Profile Code	(kg/mt) Weight
7271	1,937



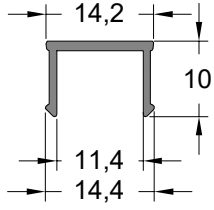
Dikme Profili
POLE PROFILE

Profil Kodu Profile Code	(kg/mt) Weight
7272	1,375

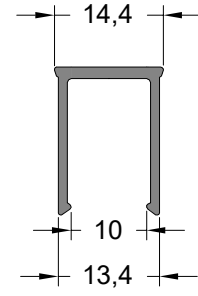


Kapak Profili
(7272 Profil Kapağı)
COVER (7272 PROFILE COVER)

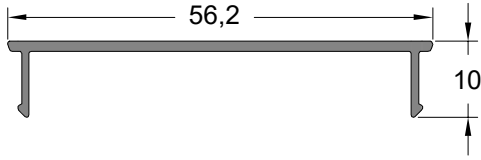
Profil Kodu Profile Code	(kg/mt) Weight
7281	0,580



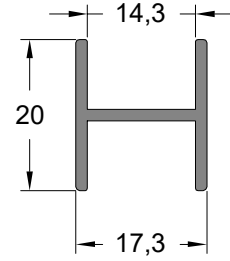
Kapak Profili (7277 Profil Kapağı)	Profil Kodu Profile Code	(kg/mt) Weight
COVER (7277 PROFILE COVER)	7289	0,098



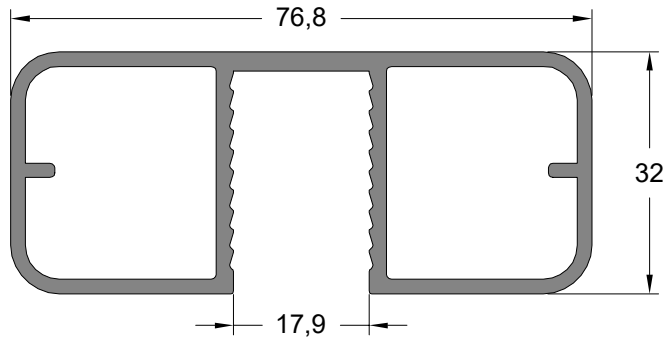
Kapak Profili (7271 Profil Kapağı)	Profil Kodu Profile Code	(kg/mt) Weight
COVER (7271 PROFILE COVER)	7279	0,175



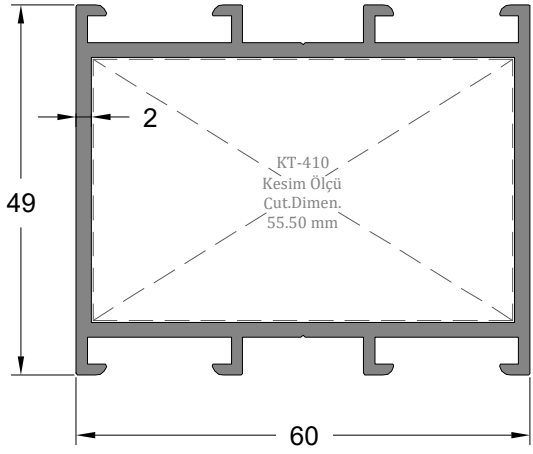
Kapak Profili (7270 Profil Kapağı)	Profil Kodu Profile Code	(kg/mt) Weight
COVER (7270 PROFILE COVER)	7280	0,246



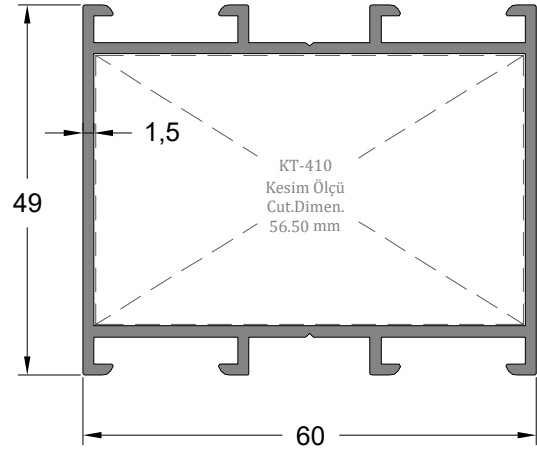
Adaptör Profili	Profil Kodu Profile Code	(kg/mt) Weight
ADAPTER PROFILE	7278	0,220



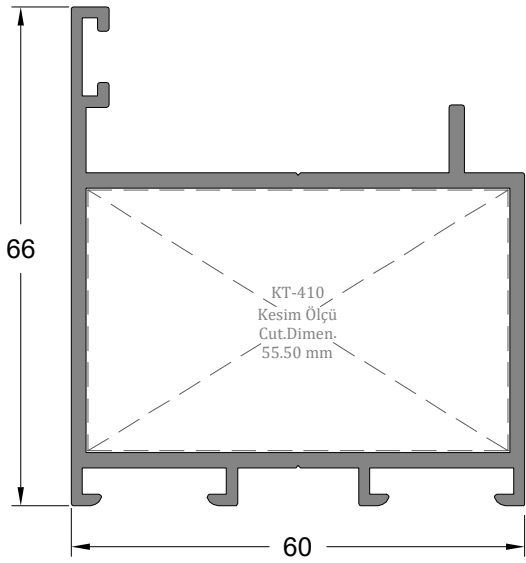
25X60 Üst Tutamak Profili	Profil Kodu Profile Code	(kg/mt) Weight
TOP HANDRAIL PROFILE	12154	0,816



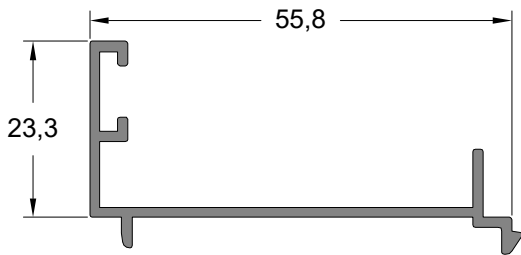
Kasa Profili	Profil Kodu	(kg/mt)
FRAME PROFILE	Profile Code	Weight
	2021	1,264



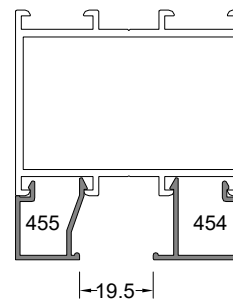
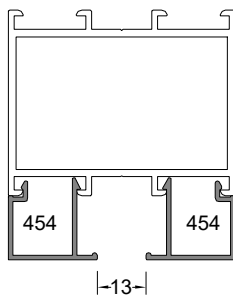
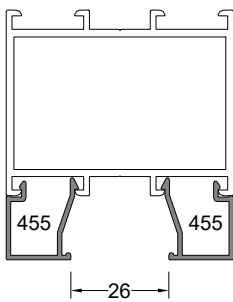
Kasa Profili	Profil Kodu	(kg/mt)
FRAME PROFILE	Profile Code	Weight
	452	1,013

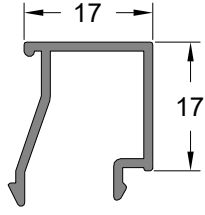


Kanat Profili	Profil Kodu	(kg/mt)
SASH PROFILE	Profile Code	Weight
	2020	1,339



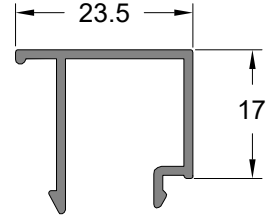
Adaptör Profili	Profil Kodu	(kg/mt)
ADAPTER PROFILE	Profile Code	Weight
	701	0,380





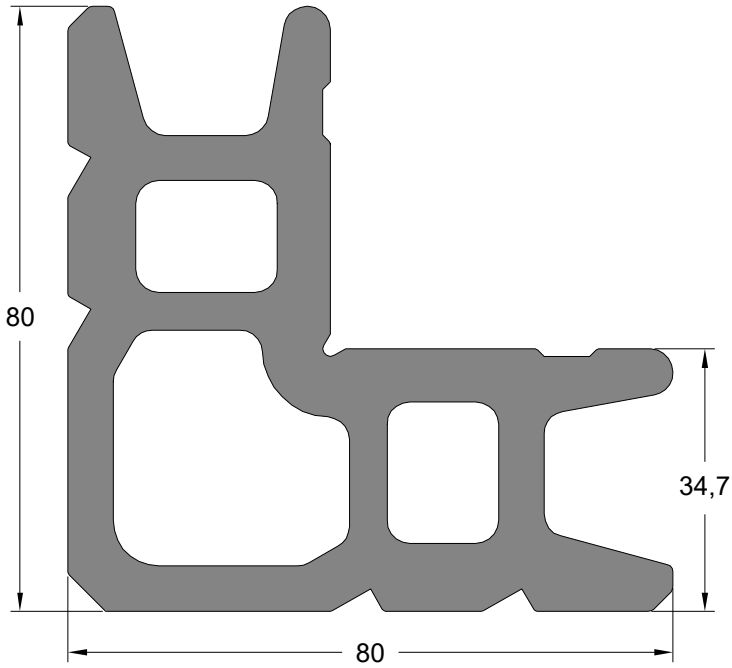
Çıta Profili
BEAD PROFILE

Profil Kodu Profile Code	(kg/mt) Weight
455	0,207



Çıta Profili
BEAD PROFILE

Profil Kodu Profile Code	(kg/mt) Weight
454	0,228

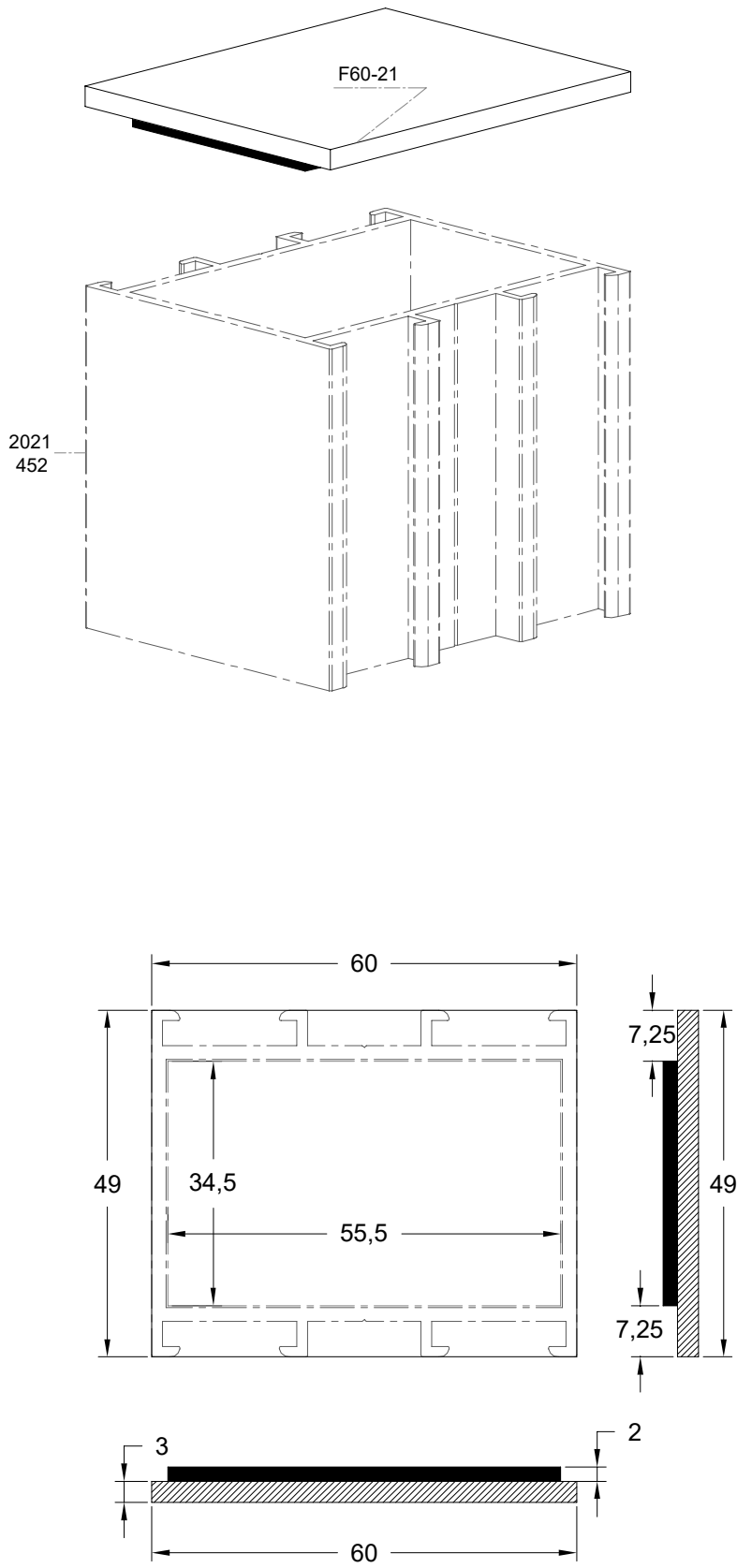


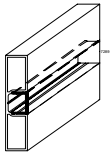
Köşe Takoz Profili
CORNER WEDGE PROFILE

Profil Kodu Profile Code	(kg/mt) Weight
410	6,094

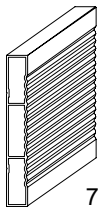
Köşe Takozu Profil Kodu Corner Wedge Profile Code	Kullanıldığı Profil Compatible Profile	Kesim Boyu (mm) Cutting Length (mm)
410	2020	55,50 mm
	2021	55,50 mm

2021-452 PROFİLİ İÇİN KAPAK
2021-452 PROFILE COVER

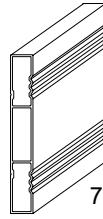




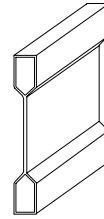
7277



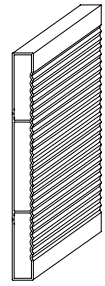
7274



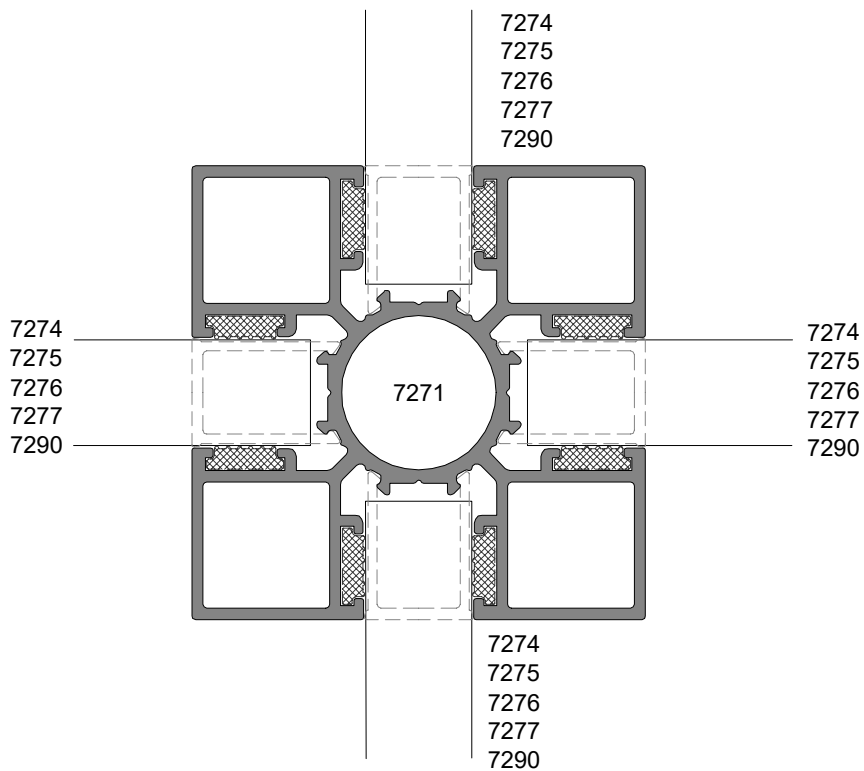
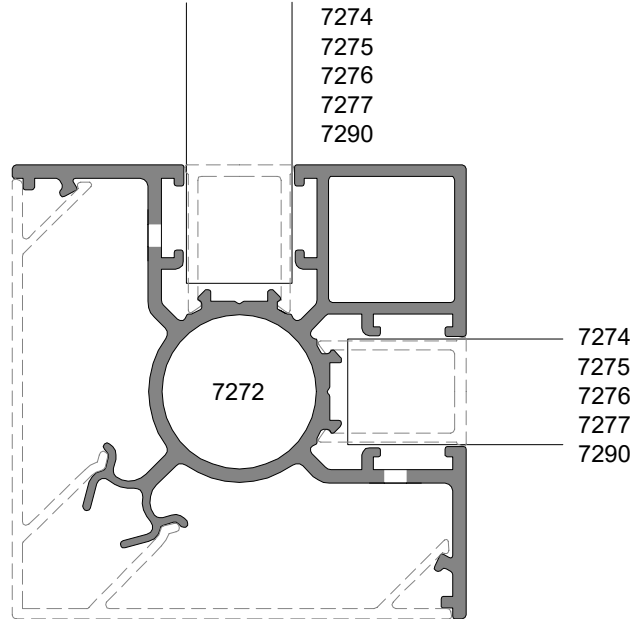
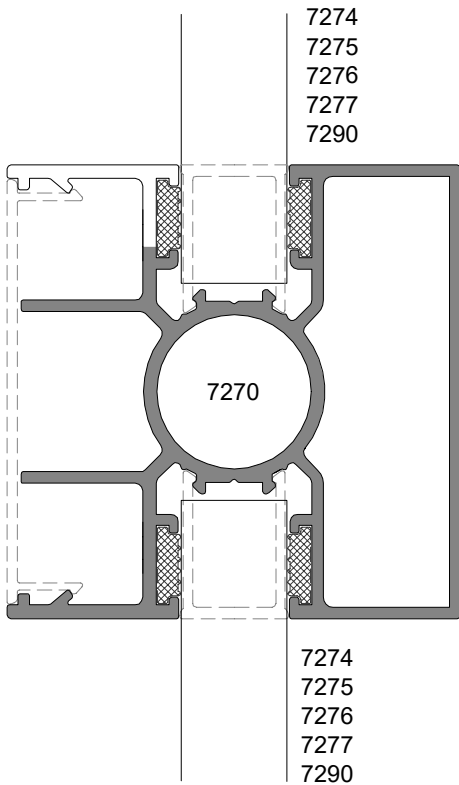
7275

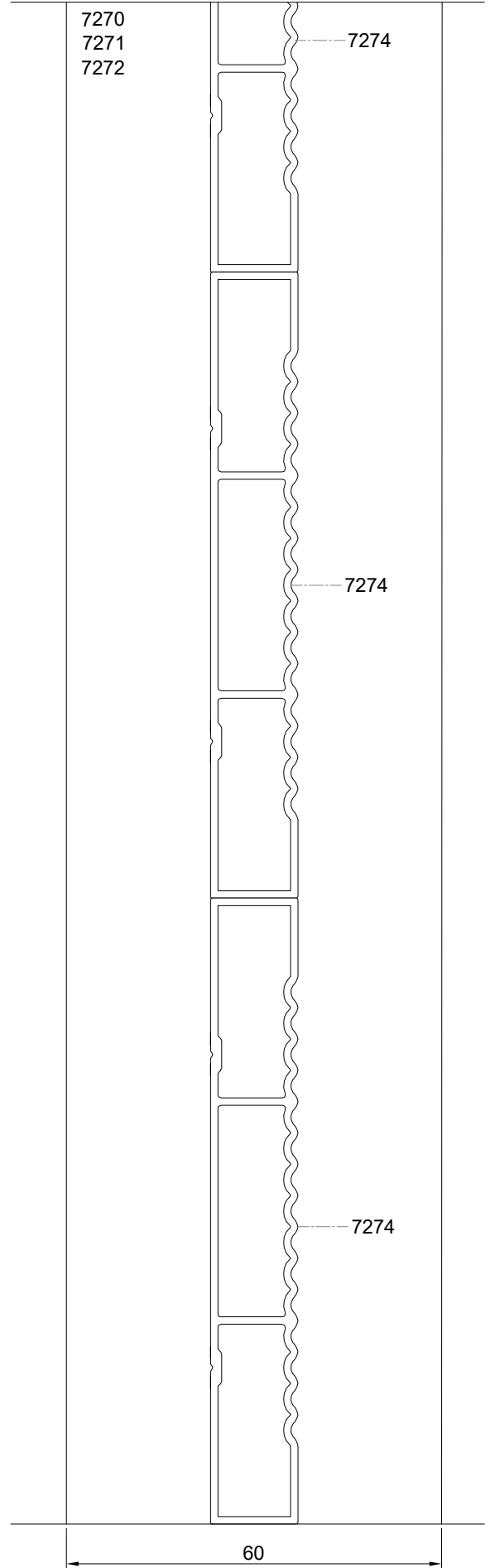
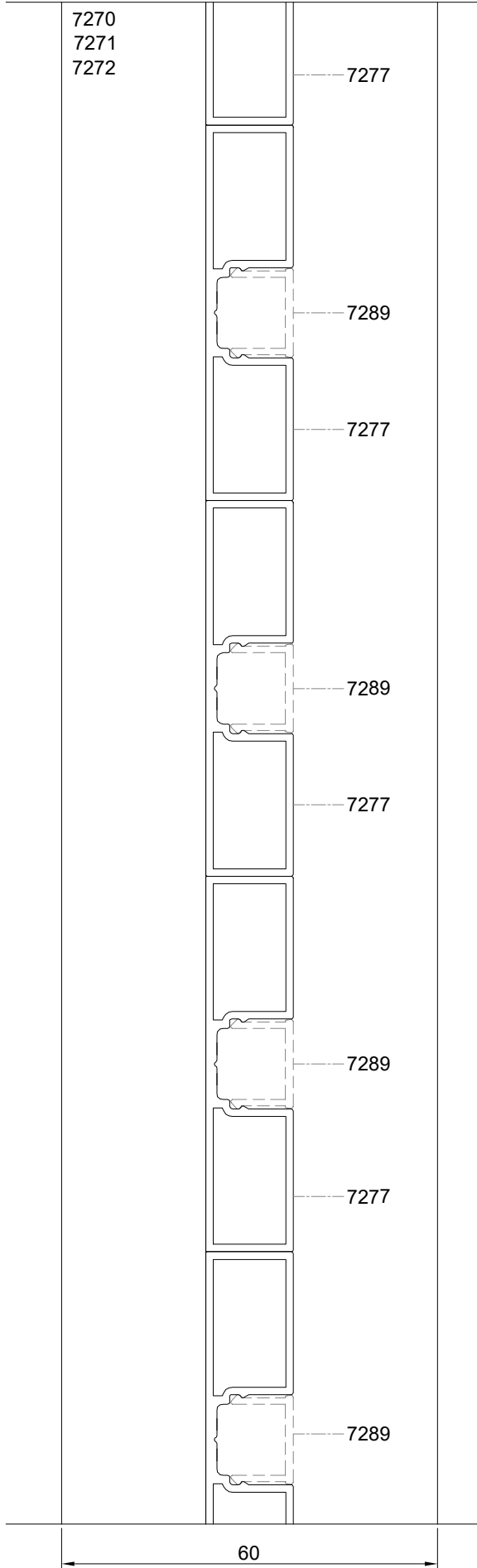


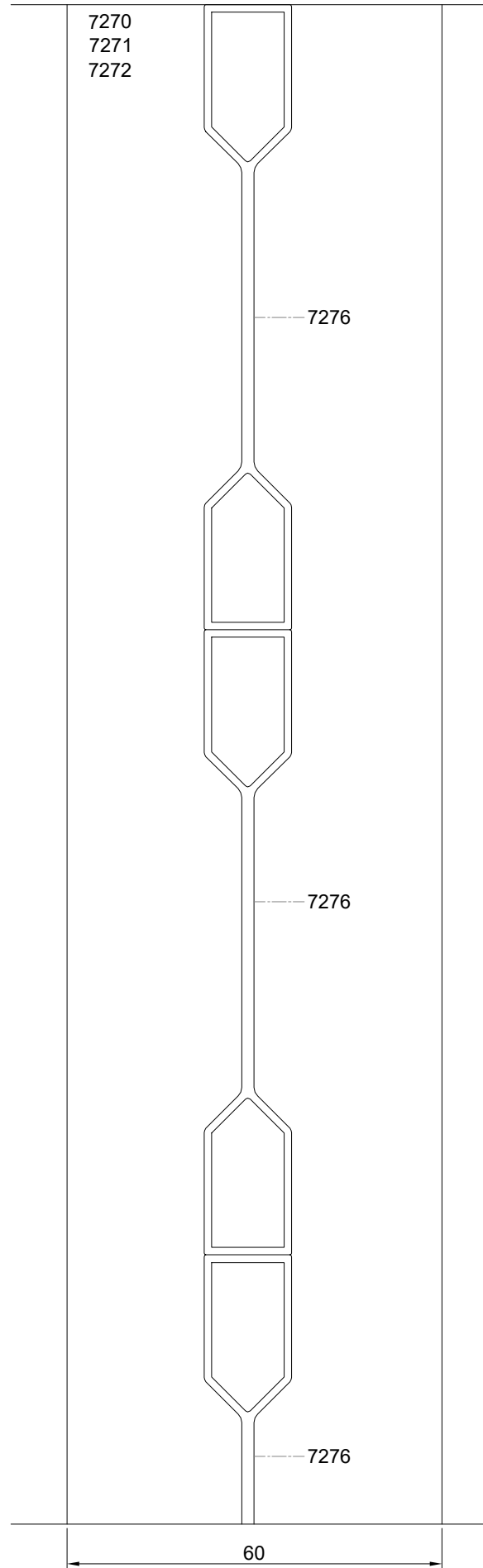
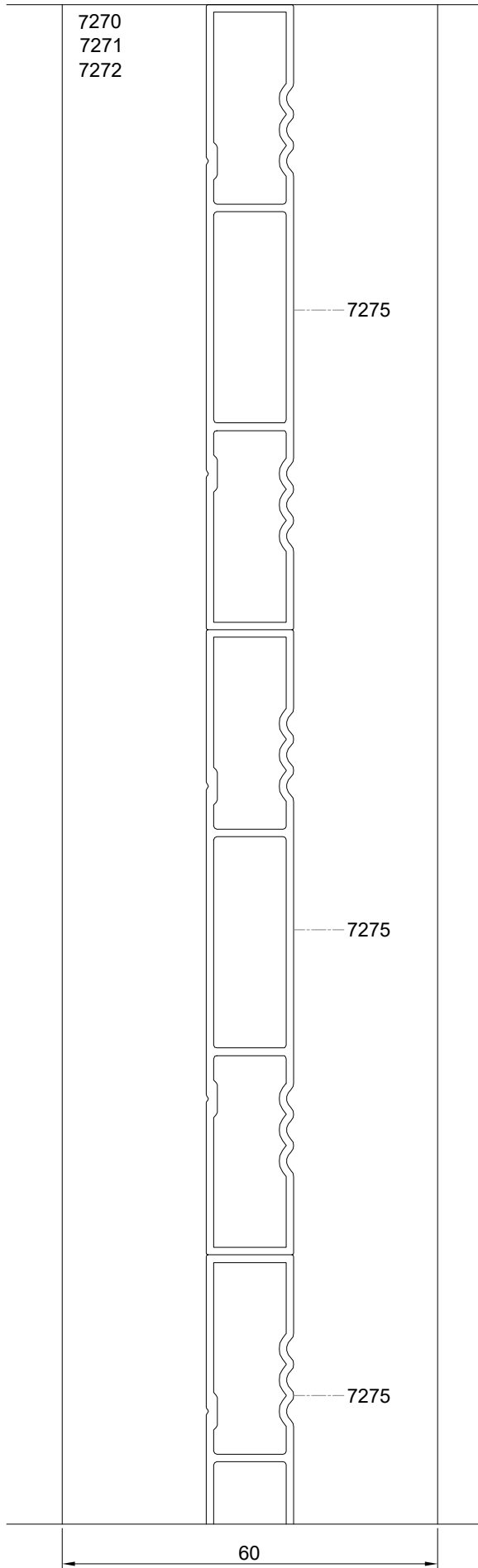
7276

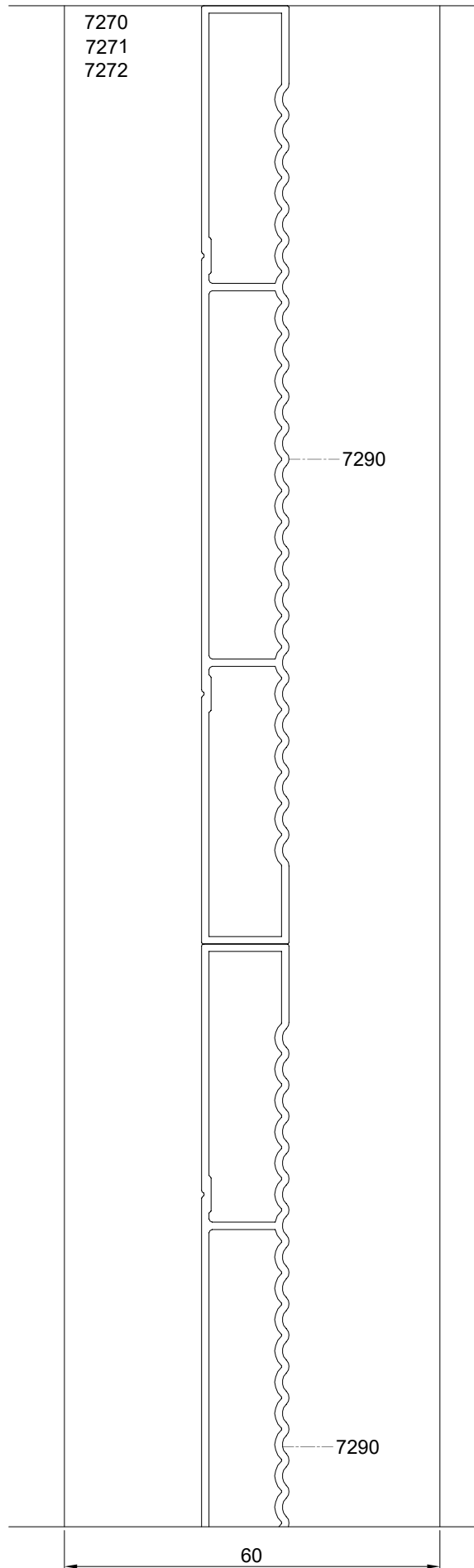


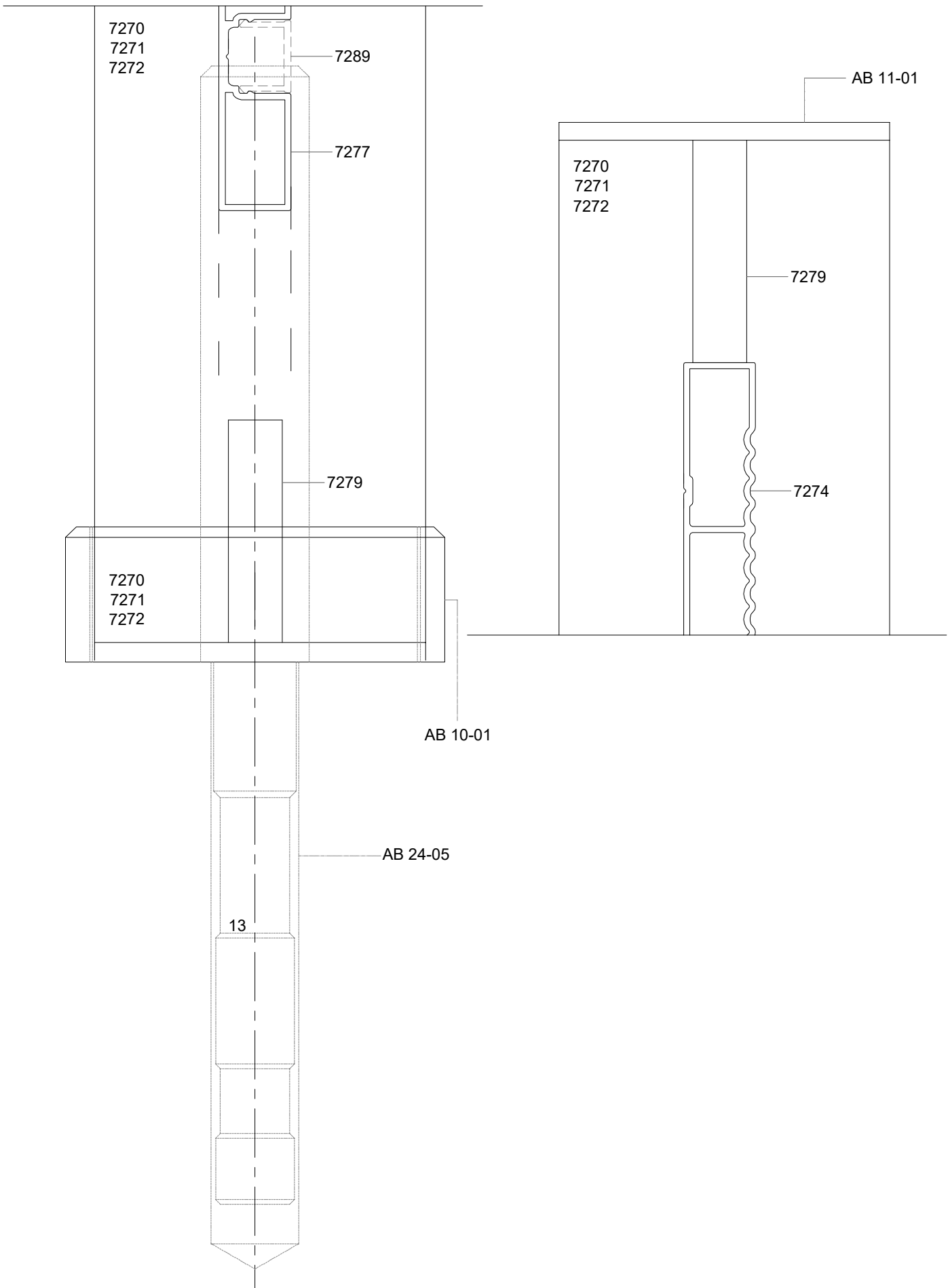
7290

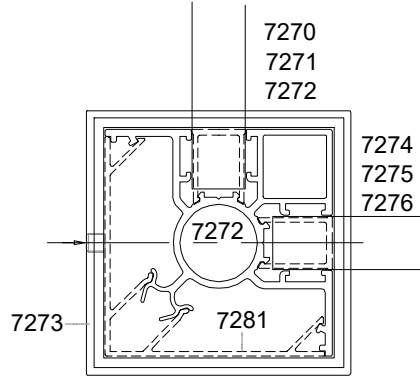




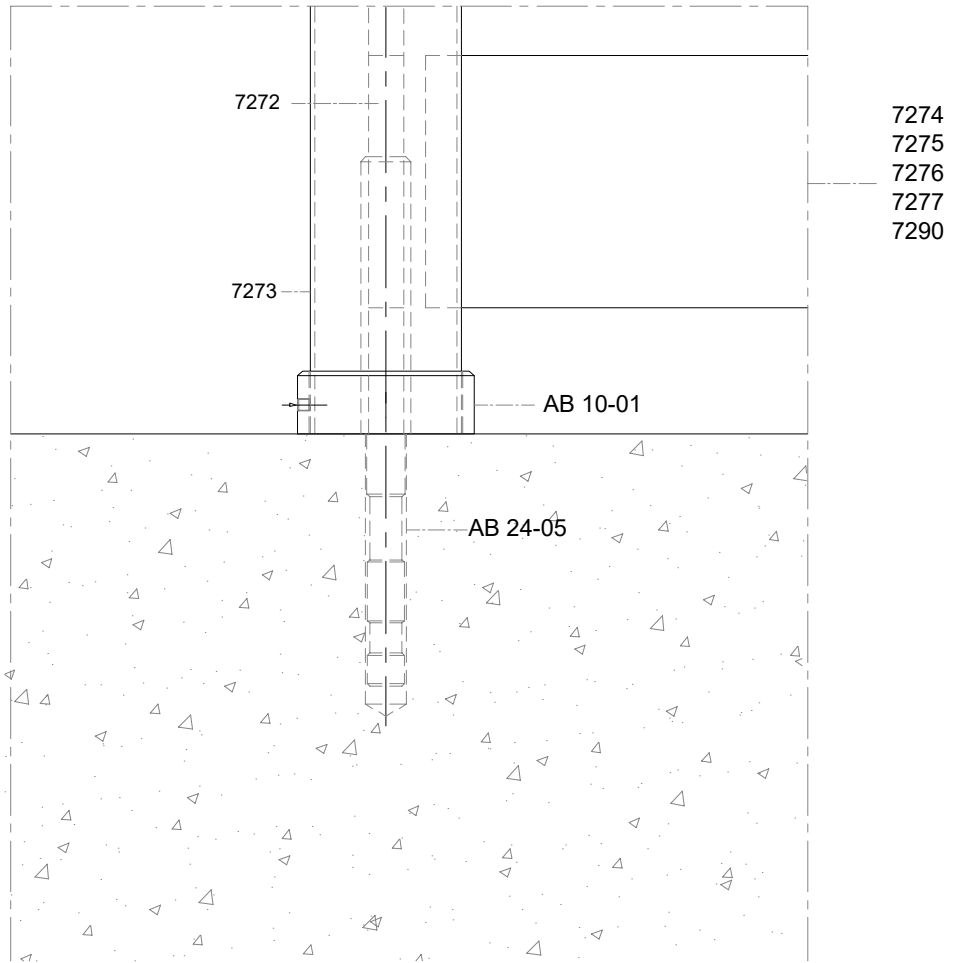


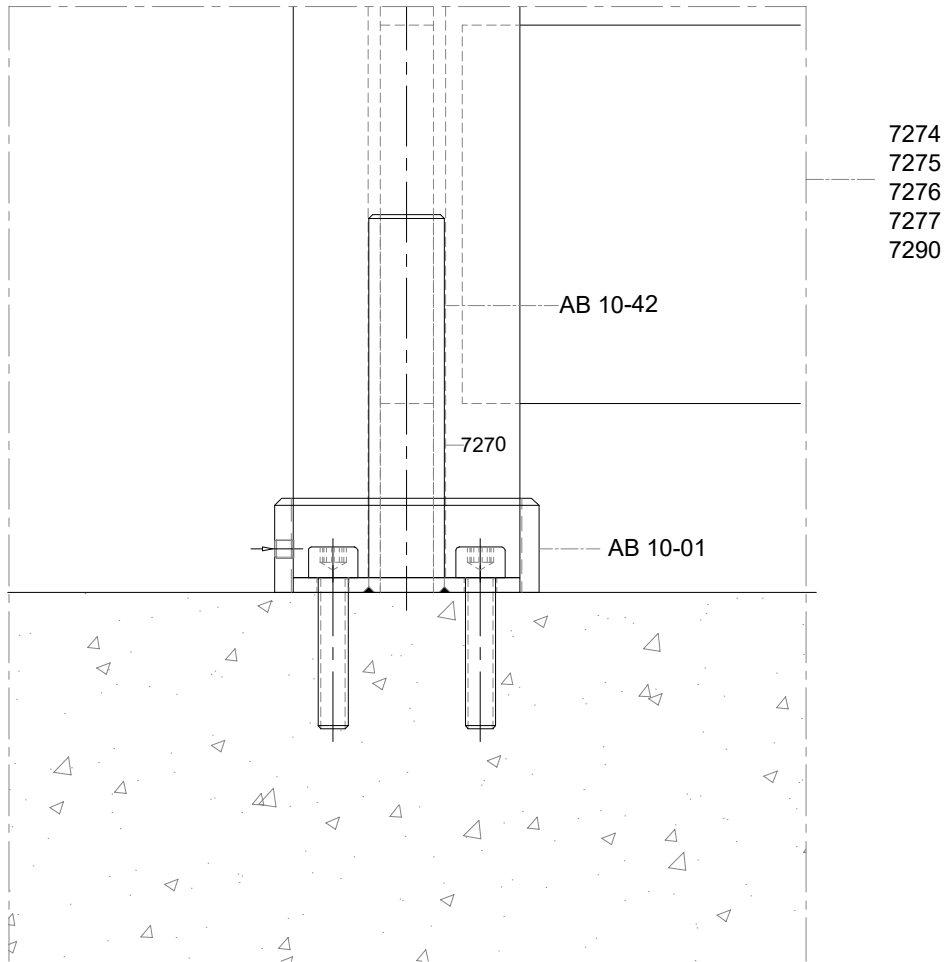
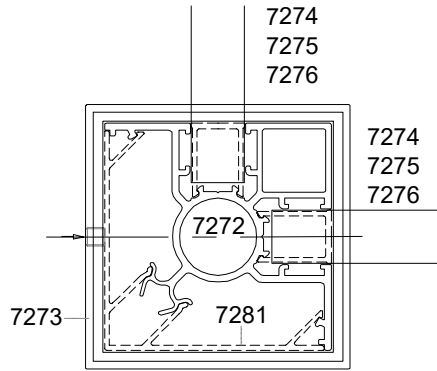


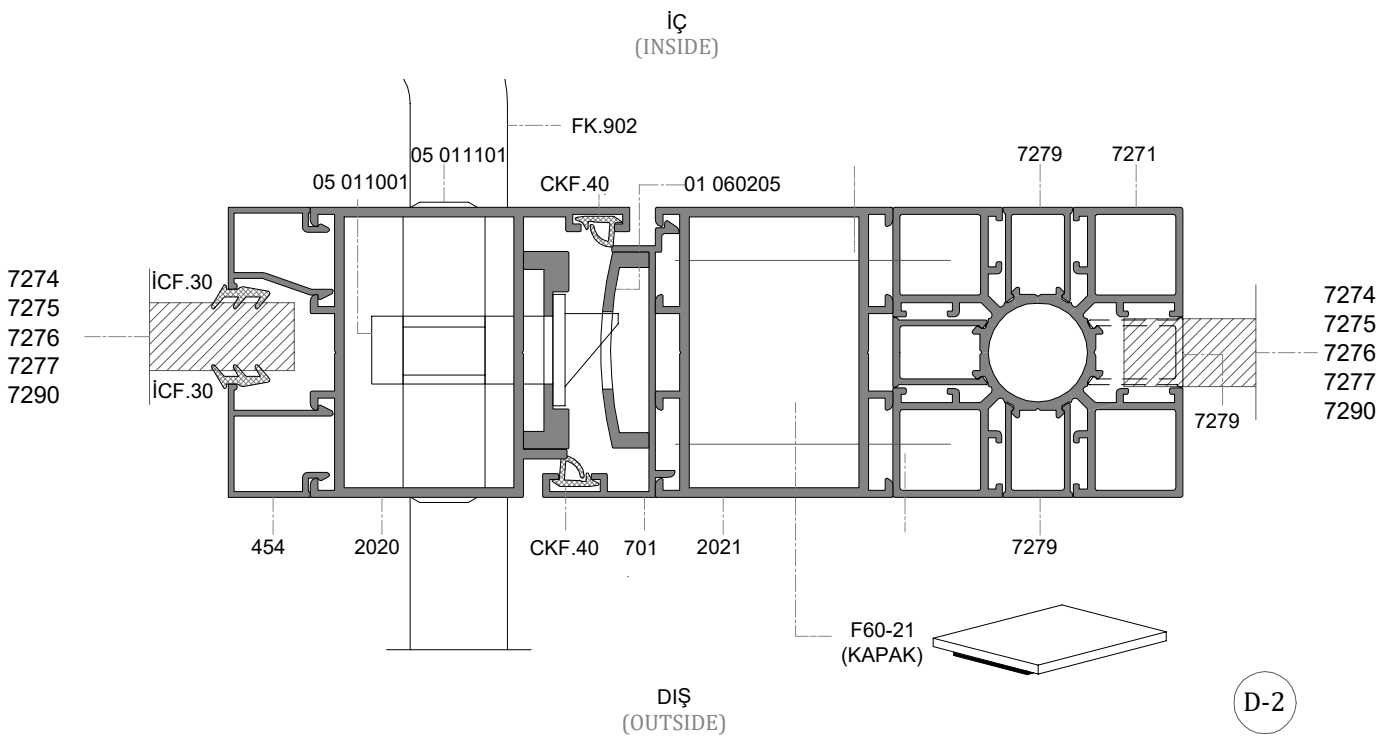
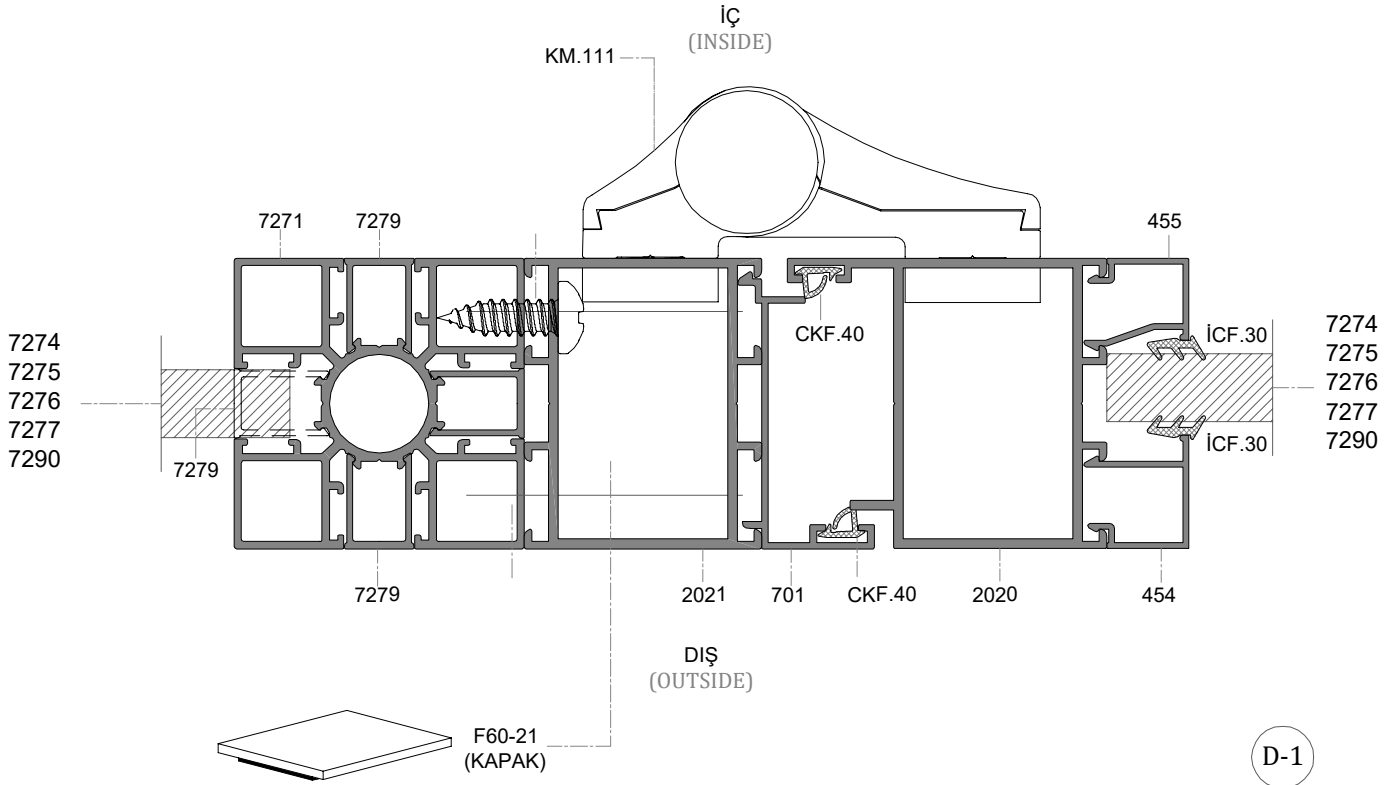
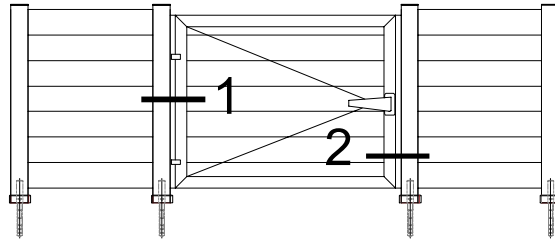


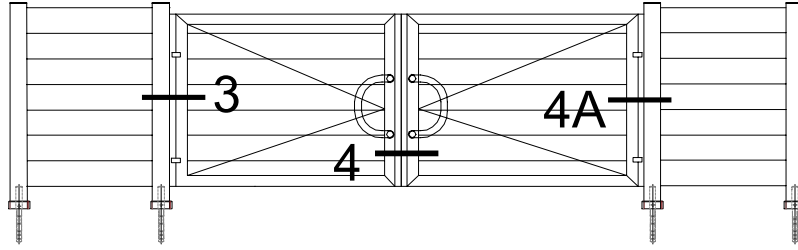


A - DETAYI
Ö : 1/3

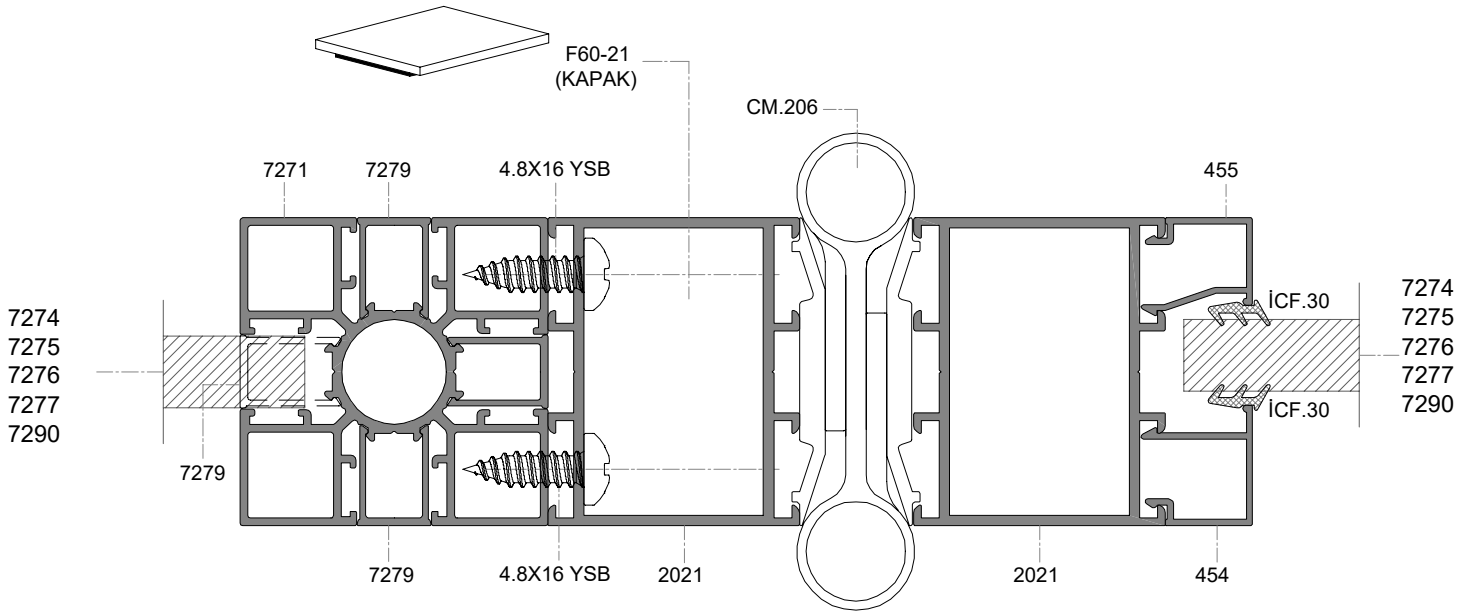




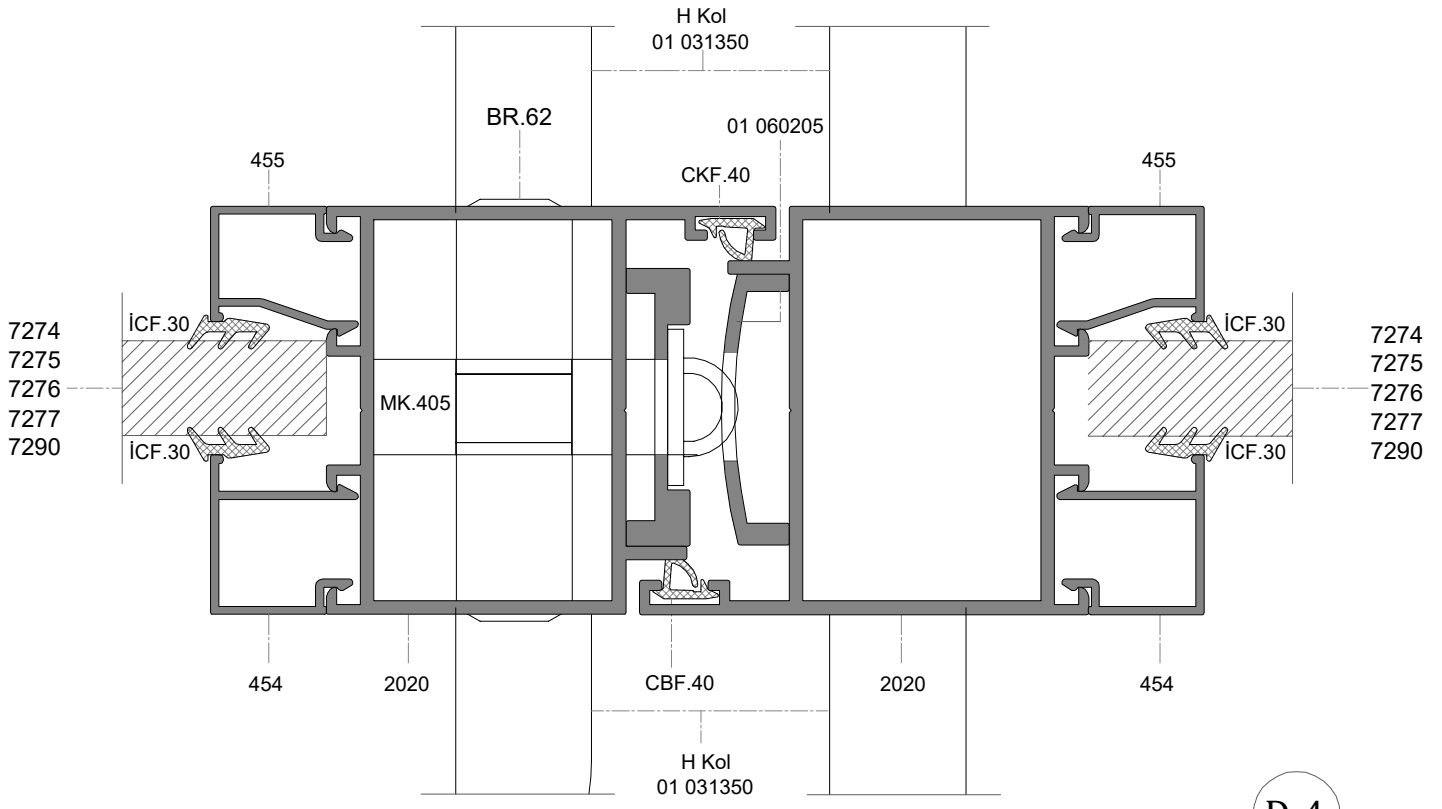




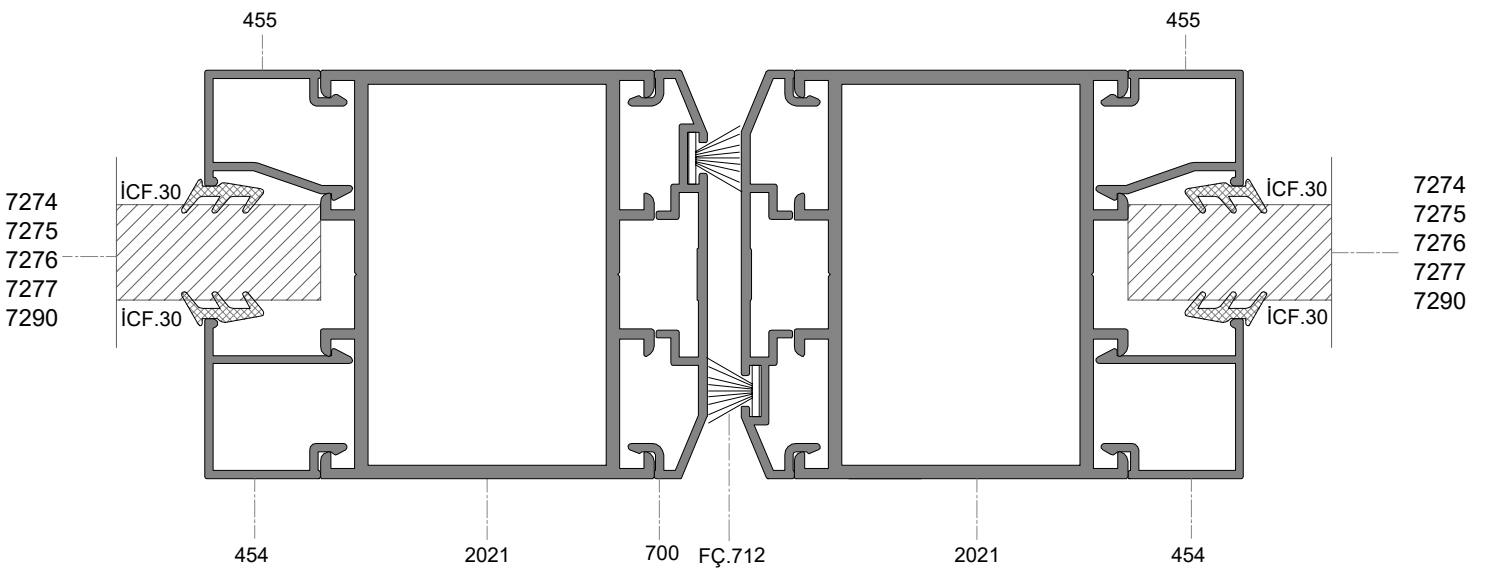
İÇ
(INSIDE)



D-3



D-4



D-4A

